



US006240622B1

(12) **United States Patent**
Ahn et al.

(10) **Patent No.:** **US 6,240,622 B1**

(45) **Date of Patent:** **Jun. 5, 2001**

(54) **INTEGRATED CIRCUIT INDUCTORS**

(75) Inventors: **Kie Y. Ahn**, Chappaqua, NY (US);
Leonard Forbes, Corvallis, OR (US)

(73) Assignee: **Micron Technology, Inc.**, Boise, ID (US)

(*) Notice: Subject to any disclaimer, the term of this patent is extended or adjusted under 35 U.S.C. 154(b) by 0 days.

(21) Appl. No.: **09/350,601**

(22) Filed: **Jul. 9, 1999**

(51) **Int. Cl.**⁷ **H01F 7/06**

(52) **U.S. Cl.** **29/604; 29/605; 29/606; 29/607; 29/603.1; 257/531; 257/528; 257/421**

(58) **Field of Search** **29/604, 605, 606, 29/607, 603.1; 257/531, 528, 541**

(56) **References Cited**

U.S. PATENT DOCUMENTS

3,988,764	10/1976	Cline et al.	357/51
3,996,095	12/1976	Ahn et al.	156/610
5,227,659	7/1993	Hubbard	257/531
5,448,822	* 9/1995	Wu et al.	29/603
5,801,521	* 9/1998	Mizoguchi et al.	323/282
5,956,073	* 9/1999	Jin et al.	348/6
6,013,939	* 11/2000	El-Sharawy et al.	257/531
6,031,273	* 2/2000	Torok et al.	257/421
6,054,750	* 4/2000	Imam et al.	257/531
6,069,397	* 5/2000	Cornett et al.	257/531

OTHER PUBLICATIONS

Li, J.L., et al., "Preparation of amorphous iron-containing and crystalline iron oxide films by glow discharge and their properties", *Material Science & Engineering, B7*, pp. 5-13, (Sep. 1990).

Lin, J.K., et al., "Properties of RF Sputtered Iron Oxide Thin Films With CoCr and Nb as Dopants", *IEEE Transactions on Magnetics* 21(5), pp. 1462-1464, (Sep. 1985).

MacChesney, J.B., et al., "Chemical vapor deposition of iron oxide films for use as semitransparent masks", *Journal of the Electrochemical Society*, 118(5), pp. 776-781, (May 1971).
Ouchi, H., et al., "High rate deposition of iron-oxide thin films by reactive sputtering", *IEEE Transactions on Magnetics*, vol. MAG-19, No. 5, pp. 1980-1982, (Sep. 1983).
Ouyang, M., et al., "Structure and Magnetic Properties of Iron Oxide Films Deposited by Excimer Laser Ablation of a Metal-Containing Polymer", *Material Research Bulletin*, 32(8), pp. 1099-1107, (1997).

Park, J.Y., et al., "Ferrite-Based Integrated Planar Inductor and Transformers Fabricated at Low Temperature", *IEEE Transactions on Magnetics*, 33(5), pp. 3322-3324, (Sep. 1997).

Park, J.Y., et al., "Fully Integrated Micromachined Inductors with Electroplated Anisotropic Magnetics Cores", *Thirteenth Annual Applied Power Electronics Conference and Exposition*, vol. 1, Conference Proceedings, Anaheim, California, 379-385, (1998).

(List continued on next page.)

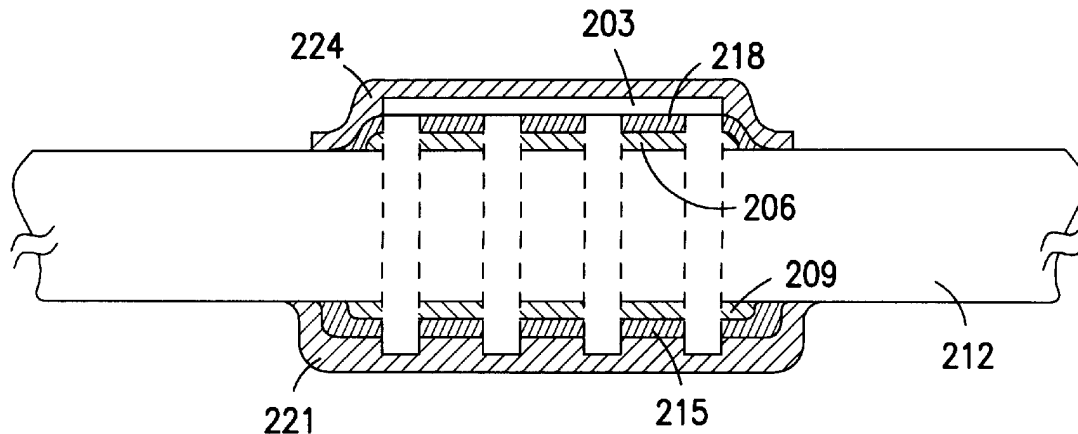
Primary Examiner—Viet Q. Nguyen

(74) *Attorney, Agent, or Firm*—Schwegman, Lundberg, Woessner & Kluth, P.A.

(57) **ABSTRACT**

The invention relates to an inductor comprising a plurality of interconnected conductive segments interwoven with a substrate. The inductance of the inductor is increased through the use of coatings and films of ferromagnetic materials such as magnetic metals, alloys, and oxides. The inductor is compatible with integrated circuit manufacturing techniques and eliminates the need in many systems and circuits for large off chip inductors. A sense and measurement coil, which is fabricated on the same substrate as the inductor, provides the capability to measure the magnetic field or flux produced by the inductor. This on chip measurement capability supplies information that permits circuit engineers to design and fabricate on chip inductors to very tight tolerances.

20 Claims, 6 Drawing Sheets



OTHER PUBLICATIONS

- Shigematsu, T., et al., "Magnetic properties of amorphous iron (III) oxide thin films", *Journal de Physique Colloque*, International Conference on the Applications of the Mossbauer Effect, Kyoto, Japan, pp. 153-154, (Mar. 1979).
- Soh, H.T., et al., "Ultra-Low Resistance, Through-Wafer Via (TWV) Technology and its Applications in Three Dimensional Structures on Silicon", *Japanese Journal of Applied Physics*, 38(4B), pp. 284-285, (Apr. 1999).
- Zheng, Y., et al., "Structure and magnetic properties of sputtered iron oxide films", *Proceedings of the International Symposium on Physics of Magnetic Materials*, pp. 146-149, (1987).
- Dhara, S., et al., "Direct Deposit of highly coercive gamma iron oxide thin films for magnetic recording", *Journal of Applied Physics*, 74(11), pp. 7019-7021, (Dec. 1993).
- Dimitrov, D.V., et al., "Stoichiometry and Magnetic Properties of Iron Oxide Films", *Materials Research Society Symposium Proceedings*, 494, pp. 89-94, (1998).
- Domke, M., et al., "Magnetic and electronic properties of thin iron oxide films", *Surface Science*, 126, pp. 727-732, (Mar. 1983).
- Fujii, E., et al., "Low-temperature preparation and properties of spinel-type iron oxide films by ECR plasma-enhanced metalorganic chemical vapor deposition", *Japanese Journal of Applied Physics*, 32(10B), pp. 1527-1529, (Oct. 1993).
- Itoh, T., et al., "Ferrite plating of Ba-containing iron oxide films using chelated highly alkaline (pH equals 11-13) aqueous solutions", *Japanese Journal of Applied Physics*, 34(3), pp. 1534-1536, (Mar. 1995).
- Joshi, S., et al., "Pulsed laser deposition of iron oxide and ferrite films", *Journal of Applied Physics*, 63(10), Abstract—Fourth Joint Magnetism and Vancouver, BC, pp. 5647-5649, (Nov. 1988).
- Kaito, C., et al., "Structure of iron oxide films prepared by evaporating various iron oxide powders", *Applications of Surface Science*, 22/23, North-Holland, Amsterdam, pp. 621-630, (1985).
- Kim, Y., et al., "Surface Micromachined Solenoid Inductors for High Frequency Applications", *1997 International Symposium on Microelectronics*, 1-6, (1997).

* cited by examiner

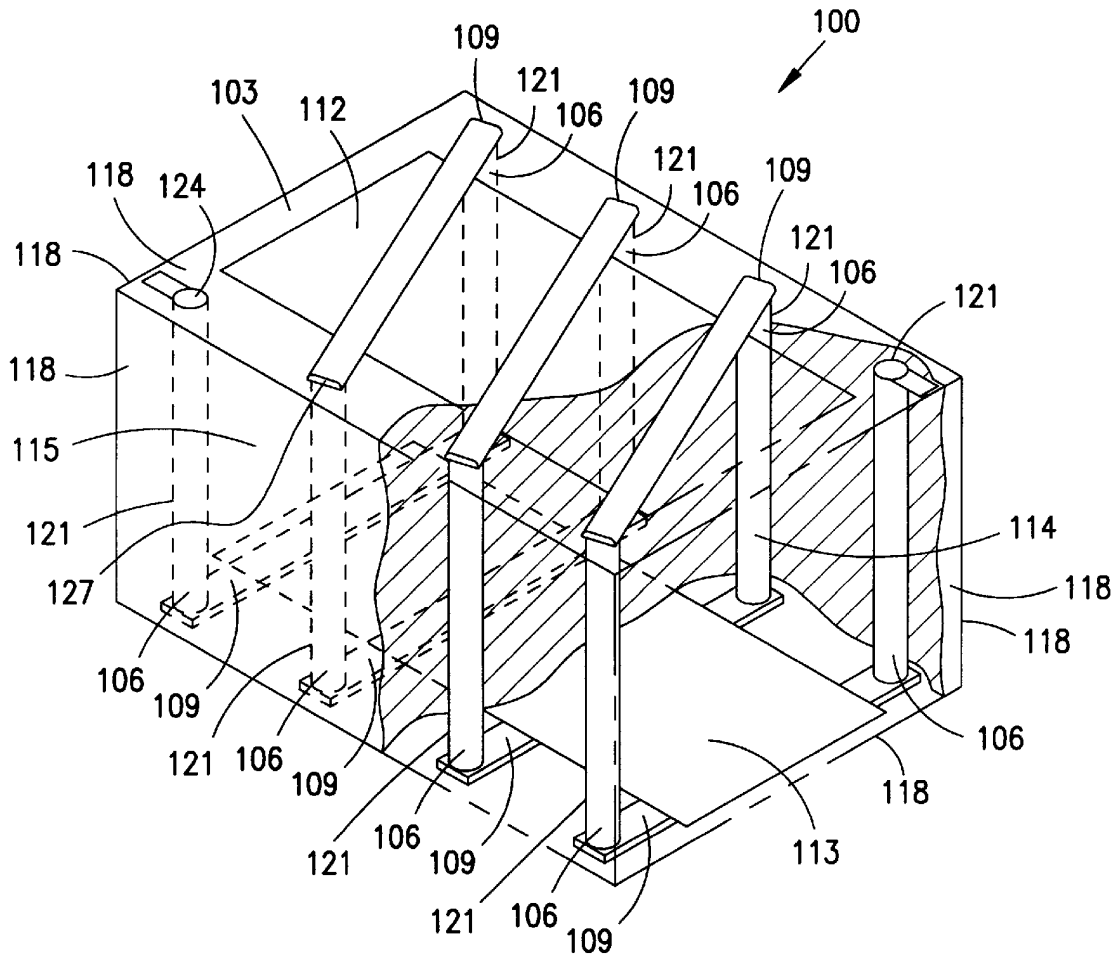


FIGURE 1A

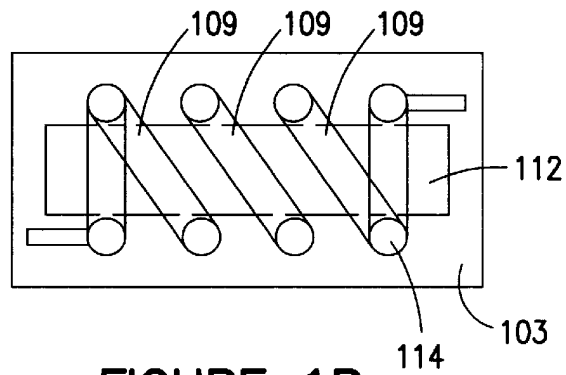


FIGURE 1B

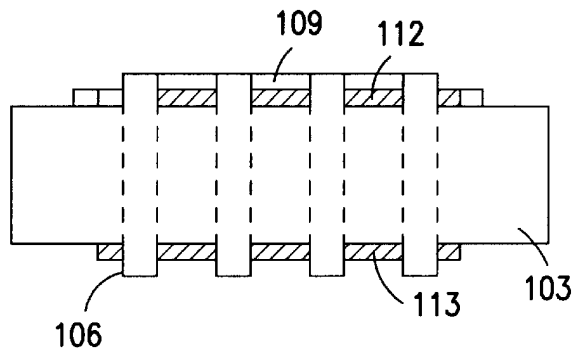


FIGURE 1C

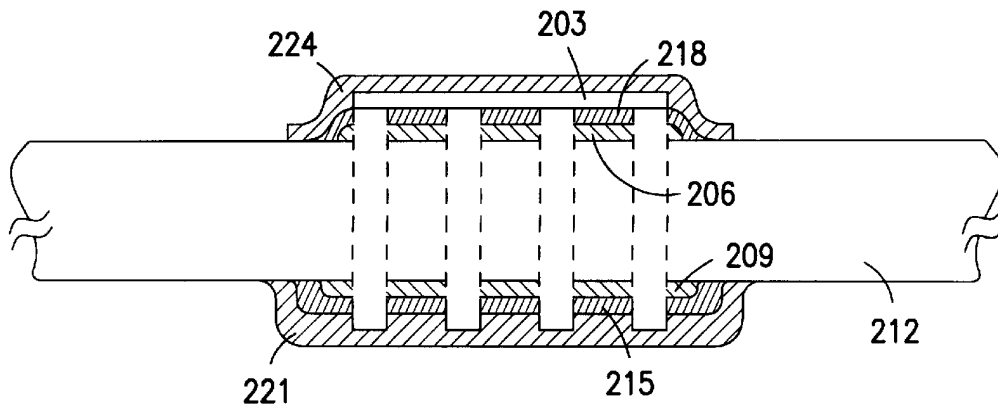


FIGURE 2

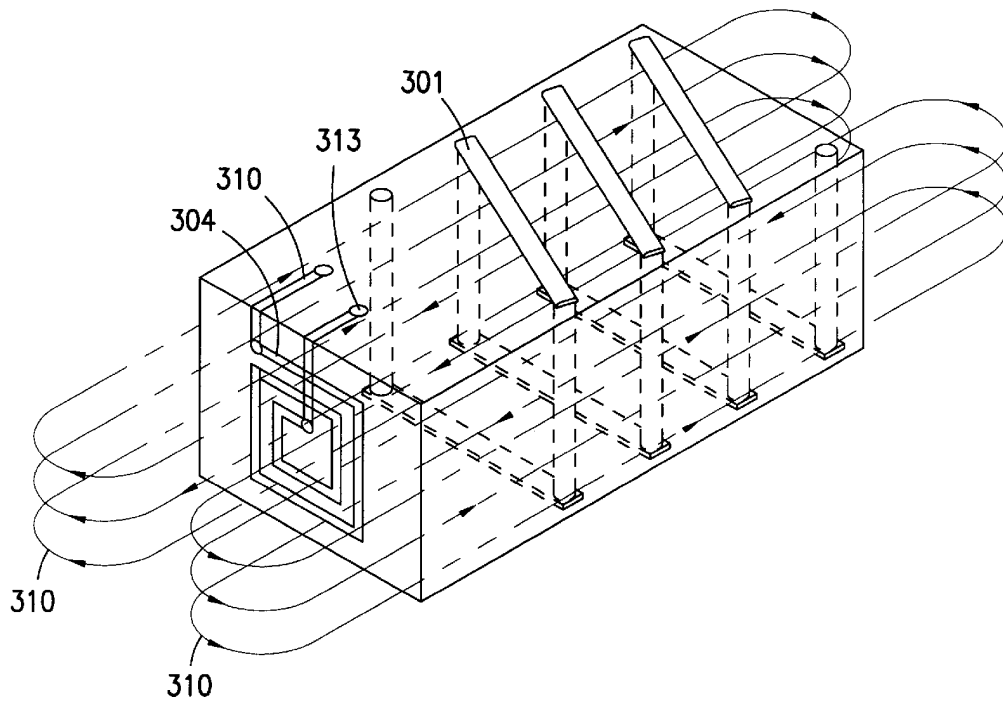


FIGURE 3A

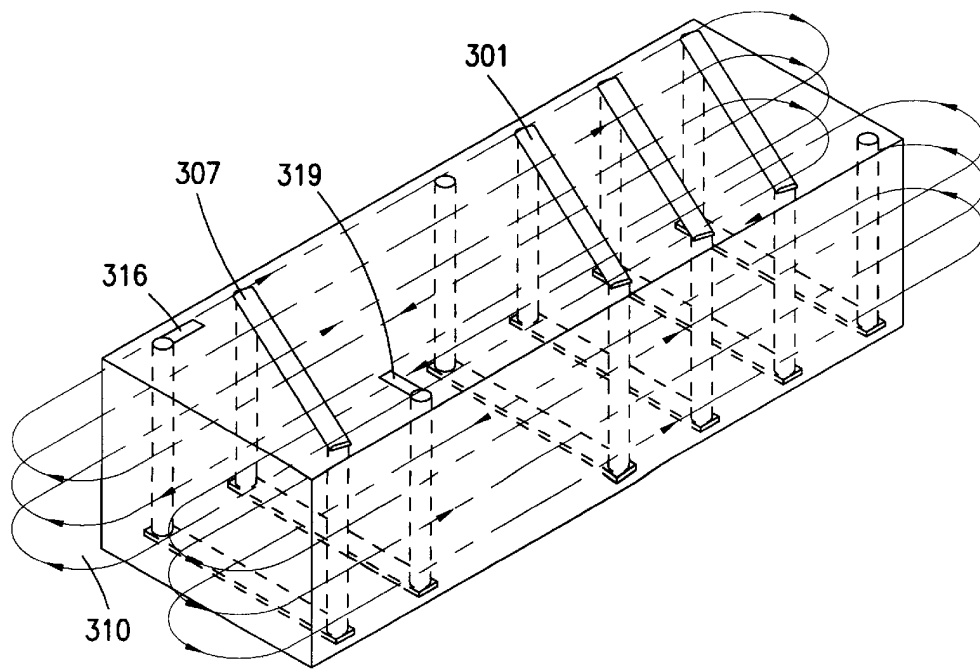


FIGURE 3B

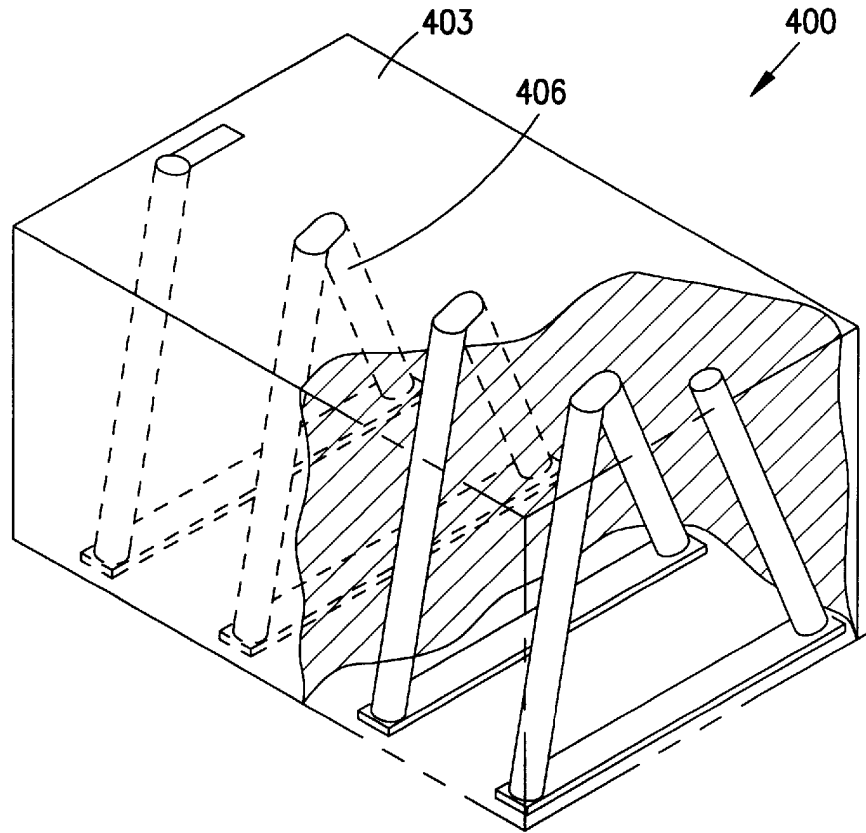


FIGURE 4

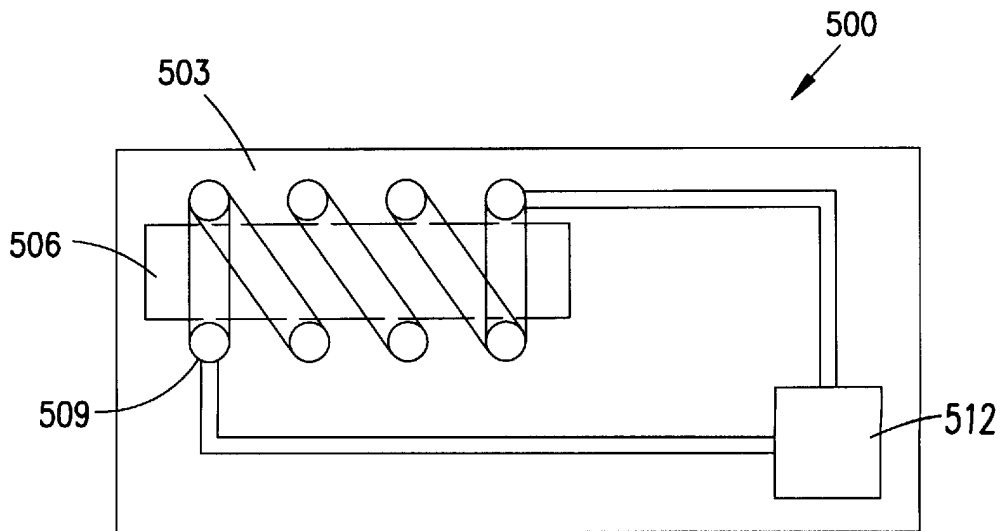


FIGURE 5

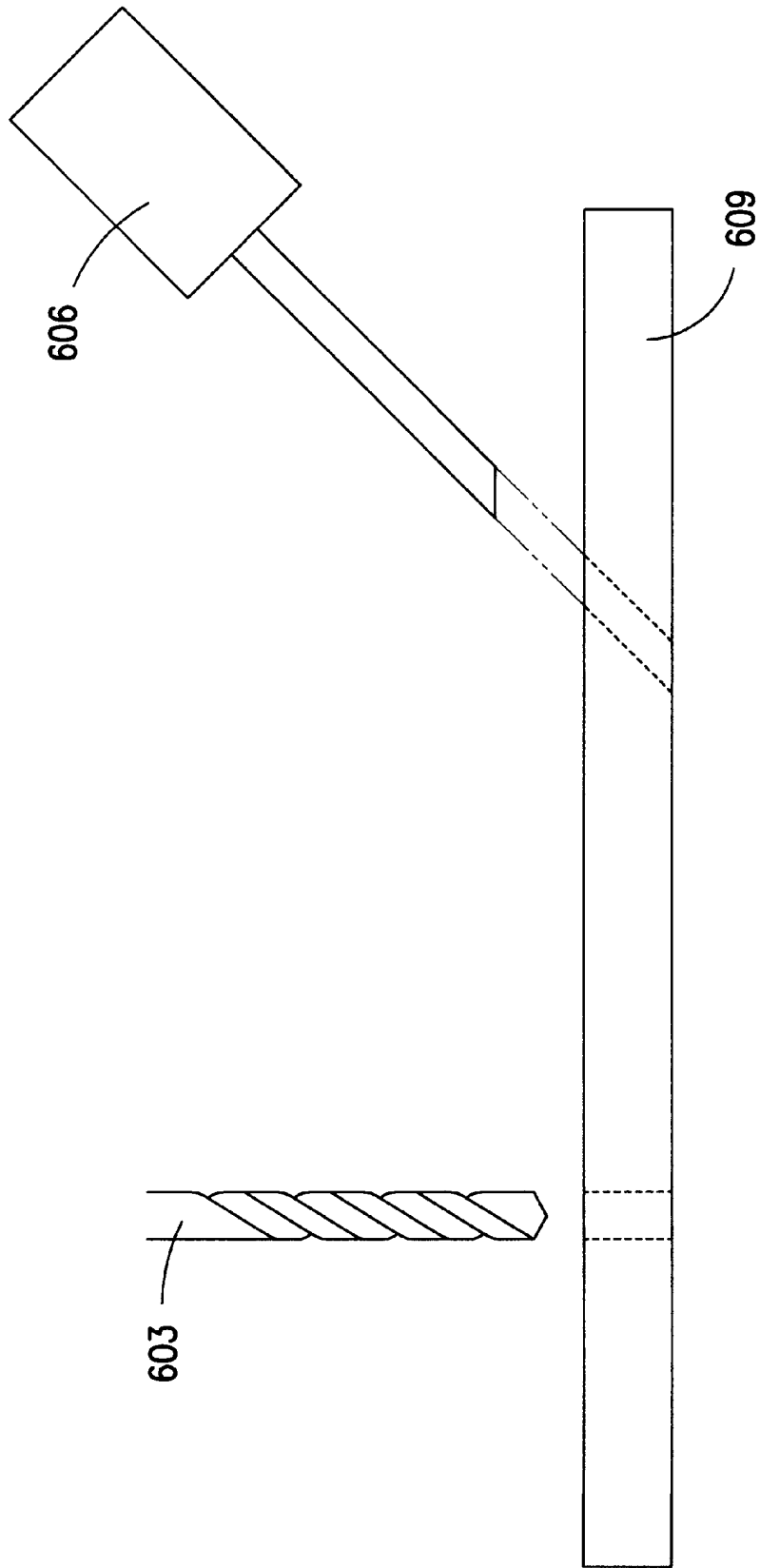


FIGURE 6

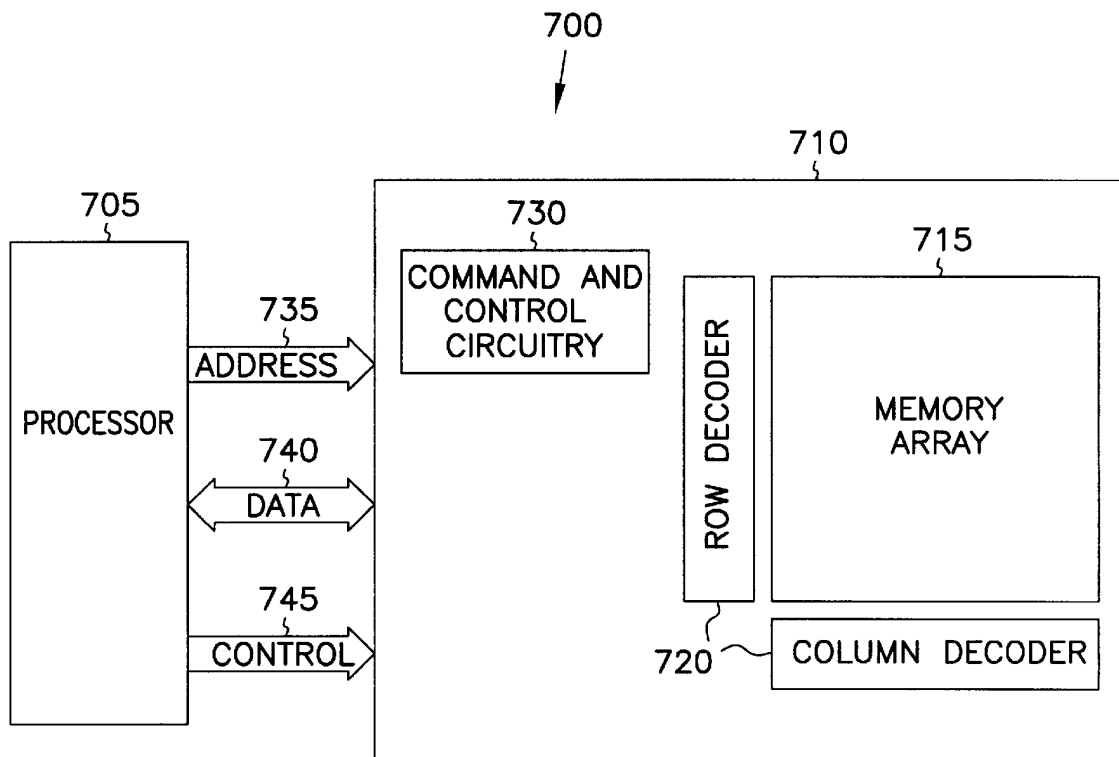


FIGURE 7

INTEGRATED CIRCUIT INDUCTORS**FIELD OF THE INVENTION**

This invention relates to inductors, and more particularly, it relates to inductors used with integrated circuits.

BACKGROUND OF THE INVENTION

Inductors are used in a wide range of signal processing systems and circuits. For example, inductors are used in communication systems, radar systems, television systems, highpass filters, tank circuits, and butterworth filters.

As electronic signal processing systems have become more highly integrated and miniaturized, effectively signal processing systems on a chip, system engineers have sought to eliminate the use of large, auxiliary components, such as inductors. When unable to eliminate inductors in their designs, engineers have sought ways to reduce the size of the inductors that they do use.

Simulating inductors using active circuits, which are easily miniaturized, is one approach to eliminating the use of actual inductors in signal processing systems. Unfortunately, simulated inductor circuits tend to exhibit high parasitic effects, and often generate more noise than circuits constructed using actual inductors.

Inductors are miniaturized for use in compact communication systems, such as cell phones and modems, by fabricating spiral inductors on the same substrate as the integrated circuit to which they are coupled using integrated circuit manufacturing techniques. Unfortunately, spiral inductors take up a disproportionately large share of the available surface area on an integrated circuit substrate.

For these and other reasons there is a need for the present invention.

SUMMARY OF THE INVENTION

The above mentioned problems and other problems are addressed by the present invention and will be understood by one skilled in the art upon reading and studying the following specification. An integrated circuit inductor compatible with integrated circuit manufacturing techniques is disclosed.

In one embodiment, an inductor capable of being fabricated from a plurality of conductive segments and interwoven with a substrate is disclosed. In an alternate embodiment, a sense coil capable of measuring the magnetic field or flux produced by an inductor comprised of a plurality of conductive segments and fabricated on the same substrate as the inductor is disclosed.

BRIEF DESCRIPTION OF THE DRAWINGS

FIG. 1A is a cutaway view of some embodiments of an inductor of the present invention.

FIG. 1B is a top view of some embodiments of the inductor of FIG. 1A.

FIG. 1C is a side view of some embodiments of the inductor of FIG. 1A.

FIG. 2 is a cross-sectional side view of some embodiments of a highly conductive path including encapsulated magnetic material layers.

FIG. 3A is a perspective view of some embodiments of an inductor and a spiral sense inductor of the present invention.

FIG. 3B is a perspective view of some embodiments of an inductor and a non-spiral sense inductor of the present invention.

FIG. 4 is a cutaway perspective view of some embodiments of a triangular coil inductor of the present invention.

FIG. 5 is a top view of some embodiments of an inductor coupled circuit of the present invention.

FIG. 6 is a diagram of a drill and a laser for perforating a substrate.

FIG. 7 is a block diagram of a computer system in which embodiments of the present invention can be practiced.

DETAILED DESCRIPTION OF PREFERRED EMBODIMENTS

In the following detailed description of the preferred embodiments, reference is made to the accompanying drawings which form a part hereof, and in which is shown by way of illustration specific preferred embodiments in which the invention may be practiced. These embodiments are described in sufficient detail to enable those skilled in the art to practice the invention, and it is to be understood that other embodiments may be utilized and that logical, mechanical and electrical changes may be made without departing from the spirit and scope of the present invention. The following detailed description is, therefore, not to be taken in a limiting sense, and the scope of the present invention is defined only by the appended claims.

FIG. 1A is a cutaway view of some embodiments of inductor **100** of the present invention. Inductor **100** includes substrate **103**, a plurality of conductive segments **106**, a plurality of conductive segments **109**, and magnetic film layers **112** and **113**. The plurality of conductive segments **109** interconnect the plurality of conductive segments **106** to form highly conductive path **114** interwoven with substrate **103**. Magnetic film layers **112** and **113** are formed on substrate **103** in core area **115** of highly conductive path **114**.

Substrate **103** provides the structure in which highly conductive path **114** that constitutes an inductive coil is interwoven. Substrate **103**, in one embodiment, is fabricated from a crystalline material. In another embodiment, substrate **103** is fabricated from a single element doped or undoped semiconductor material, such as silicon or germanium. Alternatively, substrate **103** is fabricated from gallium arsenide, silicon carbide, or a partially magnetic material having a crystalline or amorphous structure. Substrate **103** is not limited to a single layer substrate. Multiple layer substrates, coated or partially coated substrates, and substrates having a plurality of coated surfaces are all suitable for use in connection with the present invention. The coatings include insulators, ferromagnetic materials, and magnetic oxides. Insulators protect the inductive coil and separate the electrically conductive inductive coil from other conductors, such as signal carrying circuit lines. Coatings and films of ferromagnetic materials, such as magnetic metals, alloys, and oxides, increase the inductance of the inductive coil.

Substrate **103** has a plurality of surfaces **118**. The plurality of surfaces **118** is not limited to oblique surfaces. In one embodiment, at least two of the plurality of surfaces **118** are parallel. In an alternate embodiment, a first pair of parallel surfaces are substantially perpendicular to a second pair of surfaces. In still another embodiment, the surfaces are planarized. Since most integrated circuit manufacturing processes are designed to work with substrates having a pair of relatively flat or planarized parallel surfaces, the use of parallel surfaces simplifies the manufacturing process for forming highly conductive path **114** of inductor **100**.

Substrate **103** has a plurality of holes, perforations, or other substrate subtending paths **121** that can be filled,

plugged, partially filed, partially plugged, or lined with a conducting material. In FIG. 1A, substrate subtending paths **121** are filled by the plurality of conducting segments **106**. The shape of the perforations, holes, or other substrate subtending paths **121** is not limited to a particular shape. Circular, square, rectangular, and triangular shapes are all suitable for use in connection with the present invention. The plurality of holes, perforations, or other substrate subtending paths **121**, in one embodiment, are substantially parallel to each other and substantially perpendicular to substantially parallel surfaces of the substrate.

Highly conductive path **114** is interwoven with a single layer substrate or a multilayer substrate, such as substrate **103** in combination with magnetic film layers **112** and **113**, to form an inductive element that is at least partially embedded in the substrate.

If the surface of the substrate is coated, for example with magnetic film **112**, then conductive path **114** is located at least partially above the coating, pierces the coated substrate, and is interlaced with the coated substrate.

Highly conductive path **114** has an inductance value and is in the shape of a coil. The shape of each loop of the coil interlaced with the substrate is not limited to a particular geometric shape. For example, circular, square, rectangular, and triangular loops are suitable for use in connection with the present invention.

Highly conductive path **114**, in one embodiment, intersects a plurality of substantially parallel surfaces and fills a plurality of substantially parallel holes. Highly conductive path **114** is formed from a plurality of interconnected conductive segments. The conductive segments, in one embodiment, are a pair of substantially parallel rows of conductive columns interconnected by a plurality of conductive segments to form a plurality of loops.

Highly conductive path **114**, in one embodiment, is fabricated from a metal conductor, such as aluminum, copper, or gold or an alloy of a such a metal conductor. Aluminum, copper, or gold, or an alloy is used to fill or partially fill the holes, perforations, or other paths subtending the substrate to form a plurality of conductive segments. Alternatively, a conductive material may be used to plug the holes, perforations, or other paths subtending the substrate to form a plurality of conductive segments. In general, higher conductivity materials are preferred to lower conductivity materials. In one embodiment, conductive path **114** is partially diffused into the substrate or partially diffused into the crystalline structure.

For a conductive path comprised of segments, each segment, in one embodiment, is fabricated from a different conductive material. An advantage of interconnecting segments fabricated from different conductive materials to form a conductive path is that the properties of the conductive path are easily tuned through the choice of the conductive materials. For example, the internal resistance of a conductive path is increased by selecting a material having a higher resistance for a segment than the average resistance in the rest of the path. In an alternate embodiment, two different conductive materials are selected for fabricating a conductive path. In this embodiment, materials are selected based on their compatibility with the available integrated circuit manufacturing processes. For example, if it is difficult to create a barrier layer where the conductive path pierces the substrate, then the conductive segments that pierce the substrate are fabricated from aluminum. Similarly, if it is relatively easy to create a barrier layer for conductive segments that interconnect the segments that pierce the substrate, then copper is used for these segments.

Highly conductive path **114** is comprised of two types of conductive segments. The first type includes segments subtending the substrate, such as conductive segments **106**. The second type includes segments formed on a surface of the substrate, such as conductive segments **109**. The second type of segment interconnects segments of the first type to form highly conductive path **114**. The mid-segment cross-sectional profile **124** of the first type of segment is not limited to a particular shape. Circular, square, rectangular, and triangular are all shapes suitable for use in connection with the present invention. The mid-segment cross-sectional profile **127** of the second type of segment is not limited to a particular shape. In one embodiment, the mid-segment cross-sectional profile is rectangular. The coil that results from forming the highly conductive path from the conductive segments and interweaving the highly conductive path with the substrate is capable of producing a reinforcing magnetic field or flux in the substrate material occupying the core area of the coil and in any coating deposited on the surfaces of the substrate.

FIG. 1B is a top view of FIG. 1A with magnetic film **112** formed on substrate **103** between conductive segments **109** and the surface of substrate **103**. Magnetic film **112** coats or partially coats the surface of substrate **103**. In one embodiment, magnetic film **112** is a magnetic oxide. In an alternate embodiment, magnetic film **112** is one or more layers of a magnetic material in a plurality of layers formed on the surface of substrate **103**.

Magnetic film **112** is formed on substrate **103** to increase the inductance of highly conductive path **114**. Methods of preparing magnetic film **112** include evaporation, sputtering, chemical vapor deposition, laser ablation, and electrochemical deposition. In one embodiment, high coercivity gamma iron oxide films are deposited using chemical vapor pyrolysis. When deposited at above 500 degrees centigrade these films are magnetic gamma oxide. In an alternate embodiment, amorphous iron oxide films are prepared by the deposition of iron metal in an oxygen atmosphere (10^{-4} torr) by evaporation. In another alternate embodiment, an iron-oxide film is prepared by reactive sputtering of an Fe target in Ar+O₂ atmosphere at a deposition rate of ten times higher than the conventional method. The resulting alpha iron oxide films are then converted to magnetic gamma type by reducing them in a hydrogen atmosphere.

FIG. 1C is a side view of some embodiments of the inductor of FIG. 1A including substrate **103**, the plurality of conductive segments **106**, the plurality of conductive segments **109** and magnetic films **112** and **113**.

FIG. 2 is a cross-sectional side view of some embodiments of highly conductive path **203** including encapsulated magnetic material layers **206** and **209**.

Encapsulated magnetic material layers **206** and **209**, in one embodiment, are a nickel iron alloy deposited on a surface of substrate **212**. Formed on magnetic material layer layers **206** and **209** are insulating layers **215** and **218** and second insulating layers **221** and **224** which encapsulate highly conductive path **203** deposited on insulating layers **215** and **218**. Insulating layers **215**, **218**, **221** and **224**, in one embodiment are formed from an insulator, such as polyimide. In an alternate embodiment, insulating layers **215**, **218**, **221**, and **224** are an inorganic oxide, such as silicon dioxide or silicon nitride. The insulator may also partially line the holes, perforations, or other substrate subtending paths. The purpose of insulating layers **215** and **218**, which in one embodiment are dielectrics, is to electrically isolate the surface conducting segments of highly conductive path **203**

from magnetic material layers **206** and **209**. The purpose of insulating layers **221** and **224** is to electrically isolate the highly conductive path **203** from any conducting layers deposited above the path **203** and to protect the path **203** from physical damage.

The field created by the conductive path is substantially parallel to the planarized surface and penetrates the coating. In one embodiment, the conductive path is operable for creating a magnetic field within the coating, but not above the coating. In an alternate embodiment, the conductive path is operable for creating a reinforcing magnetic field within the film and within the substrate.

FIG. **3A** and FIG. **3B** are perspective views of some embodiments of inductor **301** and sense inductors **304** and **307** of the present invention. In one embodiment, sense inductor **304** is a spiral coil and sense inductor **307** is a test inductor or sense coil embedded in the substrate. Sense inductors **304** and **307** are capable of detecting and measuring reinforcing magnetic field or flux **310** generated by inductor **301**, and of assisting in the calibration of inductor **301**. In one embodiment, sense inductor **304** is fabricated on one of the surfaces substantially perpendicular to the surfaces of the substrate having the conducting segments, so magnetic field or flux **310** generated by inductor **301** is substantially perpendicular to sense inductor **304**. Detachable test leads **310** and **313** in FIG. **3A** and detachable test leads **316** and **319** in FIG. **3B** are capable of coupling sense inductors **304** and **307** to sense or measurement circuits. When coupled to sense or measurement circuits, sense inductors **304** and **307** are decoupled from the sense or measurement circuits by severing test leads **310**, **313**, **316**, and **319**. In one embodiment, test leads **310**, **313**, **316**, and **316** are severed using a laser.

In accordance with the present invention, a current flows in inductor **301** and generates magnetic field or flux **310**. Magnetic field or flux **310** passes through sense inductor **304** or sense inductor **307** and induces a current in spiral sense inductor **304** or sense inductor **307**. The induced current can be detected, measured and used to deduce the inductance of inductor **301**.

FIG. **4** is a cutaway perspective view of some embodiments of triangular coil inductor **400** of the present invention. Triangular coil inductor **400** comprises substrate **403** and triangular coil **406**. An advantage of triangular coil inductor **400** is that it saves at least a process step over the previously described coil inductor. Triangular coil inductor **400** only requires the construction of three segments for each coil of inductor **400**, where the previously described inductor required the construction of four segments for each coil of the inductor.

FIG. **5** is a top view of some embodiments of an inductor coupled circuit **500** of the present invention. Inductor coupled circuit **500** comprises substrate **503**, coating **506**, coil **509**, and circuit or memory cells **512**. Coil **509** comprises a conductive path located at least partially above coating **506** and coupled to circuit or memory cells **512**. Coil **509** pierces substrate **503**, is interlaced with substrate **503**, and produces a magnetic field in coating **506**. In an alternate embodiment, coil **509** produces a magnetic field in coating **506**, but not above coating **506**. In one embodiment, substrate **503** is perforated with a plurality of substantially parallel perforations and is partially magnetic. In an alternate embodiment, substrate **503** is a substrate as described above in connection with FIG. **1**. In another alternate embodiment, coating **506** is a magnetic film as described above in connection with FIG. **1**. In another alternate embodiment,

coil **509**, is a highly conductive path as described in connection with FIG. **1**.

FIG. **6** is a diagram of a drill **603** and a laser **606** for perforating a substrate **609**. Substrate **609** has holes, perforations, or other substrate **609** subtending paths. In preparing substrate **609**, in one embodiment, a diamond tipped carbide drill is used bore holes or create perforations in substrate **609**. In an alternate embodiment, laser **606** is used to bore a plurality of holes in substrate **609**. In a preferred embodiment, holes, perforations, or other substrate **609** subtending paths are fabricated using a dry etching process.

FIG. **7** is a block diagram of a system level embodiment of the present invention. System **700** comprises processor **705** and memory device **710**, which includes memory circuits and cells, electronic circuits, electronic devices, and power supply circuits coupled to inductors of one or more of the types described above in conjunction with FIGS. **1A-5**. Memory device **710** comprises memory array **715**, address circuitry **720**, and read circuitry **730**, and is coupled to processor **705** by address bus **735**, data bus **740**, and control bus **745**. Processor **705**, through address bus **735**, data bus **740**, and control bus **745** communicates with memory device **710**. In a read operation initiated by processor **705**, address information, data information, and control information are provided to memory device **710** through busses **735**, **740**, and **745**. This information is decoded by addressing circuitry **720**, including a row decoder and a column decoder, and read circuitry **730**. Successful completion of the read operation results in information from memory array **715** being communicated to processor **705** over data bus **740**.

CONCLUSION

Embodiments of inductors and methods of fabricating inductors suitable for use with integrated circuits have been described. In one embodiment, an inductor having a highly conductive path fabricated from a plurality of conductive segments, and including coatings and films of ferromagnetic materials, such as magnetic metals, alloys, and oxides has been described. In another embodiment, an inductor capable of being fabricated from a plurality of conductors having different resistances has been described. In an alternative embodiment, an integrated test or calibration coil capable of being fabricated on the same substrate as an inductor and capable of facilitating the measurement of the magnetic field or flux generated by the inductor and capable of facilitating the calibration the inductor has been described.

Although specific embodiments have been illustrated and described herein, it will be appreciated by those of ordinary skill in the art that any arrangement which is calculated to achieve the same purpose may be substituted for the specific embodiment shown. This application is intended to cover any adaptations or variations of the present invention. Therefore, it is manifestly intended that this invention be limited only by the claims and the equivalents thereof.

What is claimed is:

1. An inductor comprising:

- a substrate having a first surface;
- a ferromagnetic layer formed on the first surface; and
- a coil including a plurality of conductive segments subtending the substrate.

2. The inductor of claim 1 wherein the substrate comprises a semiconductor.

3. An inductor comprising:

- a substrate; and

7

a highly conductive path having an inductance value, and the highly conductive path comprising a plurality of interconnected conductive segments interwoven with the substrate, wherein each of the plurality of interconnected conductive segments has a mid-segment cross section profile selected from the group consisting of circular and rectangular.

4. The inductor of claim 3, wherein each of the plurality of interconnected conductive segments is fabricated from a different metal.

5. The inductor of claim 3, wherein each of the plurality of interconnected conductive segments is fabricated from one of two different metals.

6. By An inductor comprising:

a substrate having a first surface;

a ferromagnetic layer formed on the first surface;

a coil including a plurality of conductive segments subtending the substrate; and

an insulating layer formed between the ferromagnetic layer and the first surface.

7. The inductor of claim 6, wherein the coil has a substantially triangular shape.

8. The inductor of claim 6, wherein the coil has a substantially square shape.

9. The inductor of claim 6, wherein the coil has a substantially rectangular shape.

10. The inductor of claim 6, wherein each of the plurality of conductive segments subtending the substrate comprise a substantially hollow conductive segment.

11. The inductor of claim 6, wherein each of the plurality of conductive segments subtending the substrate comprise a conductive segment having a substantially square cross-sectional shape.

12. The inductor of claim 6, wherein the coil is formed from copper.

8

13. The inductor of claim 6, wherein the coil is formed from aluminum.

14. An inductor comprising:

a semiconductor; and

a highly conductive path having an inductance value, and the highly conductive path comprising a plurality of interconnected conductive segments interwoven with the semiconductor, wherein each of the plurality of interconnected conductive segments has a mid-segment cross section profile selected from the group consisting of circular and rectangular.

15. The inductor of claim 14, wherein the semiconductor comprises silicon.

16. The inductor of claim 14, wherein the semiconductor comprises gallium arsenide.

17. The inductor of claim 14, wherein the semiconductor comprises germanium.

18. An inductor comprising:

a substrate; and

a highly conductive path having an inductance value, and the highly conductive path comprising a plurality of interconnected conductive segments interwoven with the substrate, wherein each of the plurality of interconnected conductive segments has a mid-segment cross section profile selected from the group consisting of circular and rectangular, and the substrate is at least partially coated with a ferromagnetic material.

19. The inductor of claim 18, wherein the substrate is at least partially coated with a magnetic oxide.

20. The inductor of claim 18, wherein each of the plurality of interconnected conductive segments is formed from copper.

* * * * *